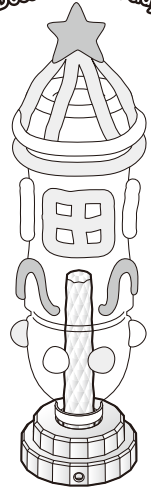


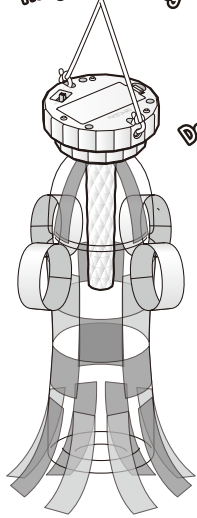
EXAMPLES OF ARTWORKS

LET'S HAVE FUN DECORATING!

Decorate it with clay



Hanging on a string



Decorate it with colored paper

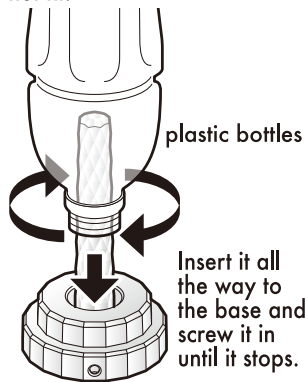


You can use it even if you cut off the bottom of the plastic bottles

● Prepare plastic bottles, strings, decoration material, etc. ●

How to install

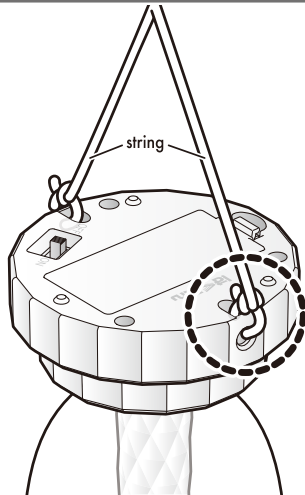
*Please note that some plastic bottles cap screw size might not fit.



Insert it all the way to the base and screw it in until it stops.

*Do not install wet plastic bottles.

How to hang



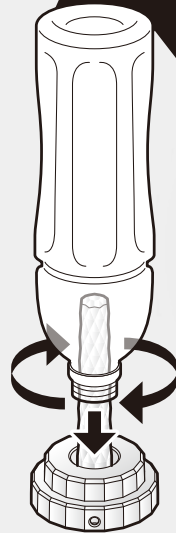
Tie a string to the hole and hang it.

la 3.5h Teaching materials for arts and crafts
HAKUBUN

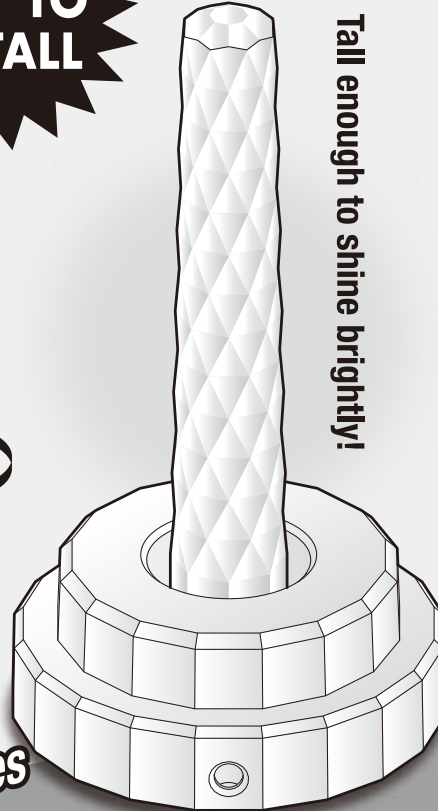
FANTASY LIGHT (LED)

Without cutting the plastic bottle!

EASY TO INSTALL



Tall enough to shine brightly!



Because it uses AAA battery, it lasts a long time!

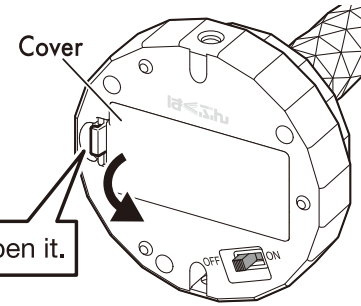
Includes 2 x AAA manganese dry cell batteries for testing

It shines colorfully and beautifully!
RAINBOW LIGHTS!

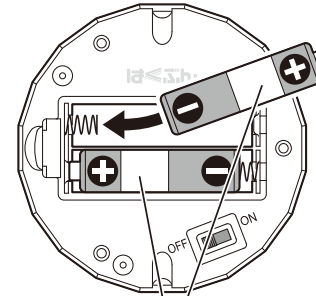
How to use

1 Open the lid on the back side.

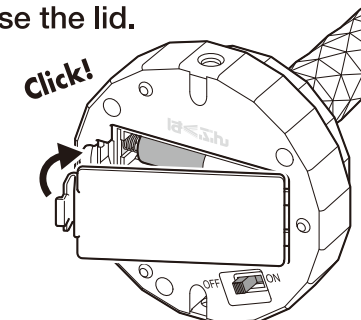
Pull the cover to open it.



2 Insert the battery in the correct direction and close the lid.

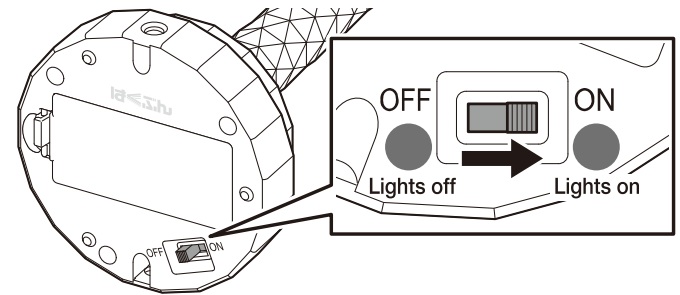


AAA manganese dry cell battery



*Close the lid until you hear a click.

3 The light glows when the switch is turned on. Always turn off after use.



• If the light does not work properly, replace the batteries with new ones.
• If you are not going to use it for a long time, please remove the batteries.