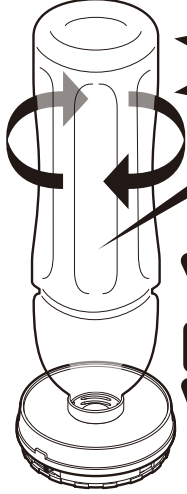
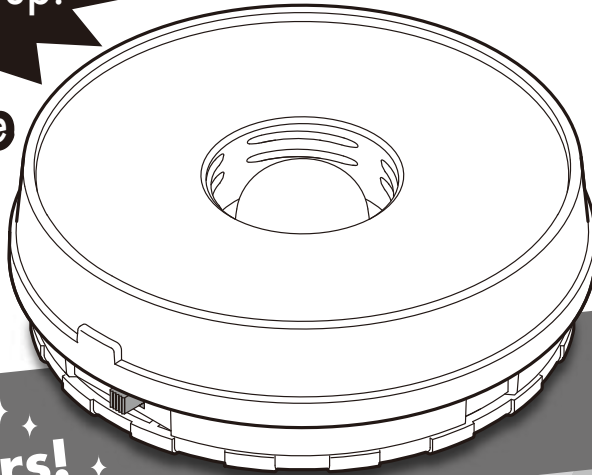


STAGE LIGHT (LED)



Screw it in
and hang it up!

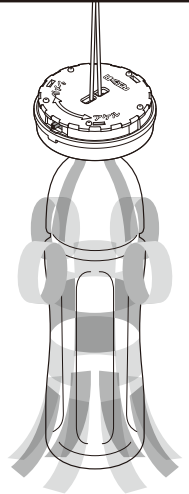
You can install the
plastic bottle
without cutting it!



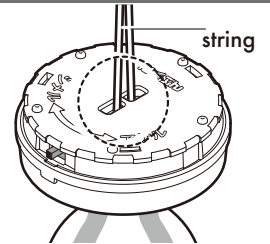
Colourful, beautiful and glowing!
Rainbow colours!

Includes 3 x AAA manganese batteries for testing

Let's hang it up!



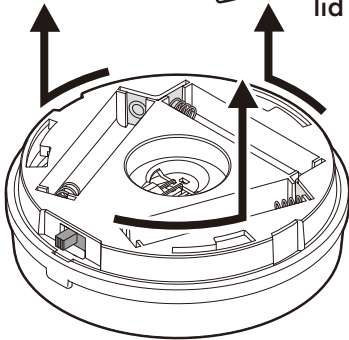
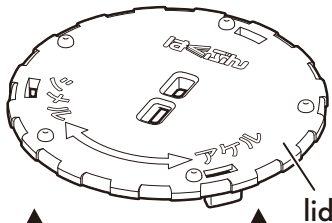
How to attach a string



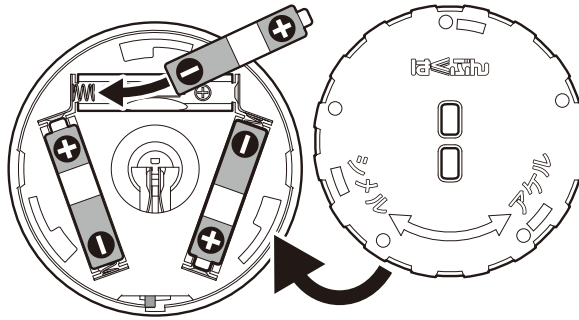
Thread the string through the
hole and tie it together.

How to use

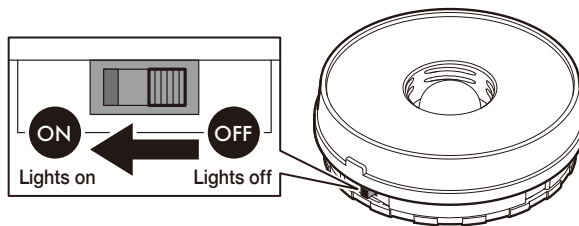
1 Turn the lid on the
back side to the left to
open it.



2 Insert the batteries in the correct
direction and close the lid.



3 Turn the switch to the left to make it
glow. Be sure to turn it off after use.



Let's decorate it!



How to decorate



- If the light does not work properly, replace the batteries with new ones.
- Please do not look directly into the light as it may damage your eyes.
- If you are not going to use it for a long time, please remove the batteries.